

SCALACOUSTIC



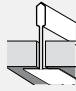
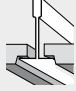

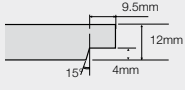
SCALACOUSTIC



Recycled Content



Light Reflectance

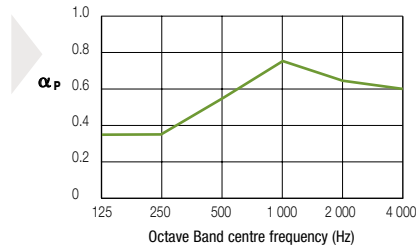
SCALACOUSTIC	BOARD	PASSO
	 <p>Prelude XL²/TLX 24 mm Prelude Sixty²</p>	 <p>Prelude XL²/TLX 24 mm Prelude Sixty²</p>
		
600 x 600 x 12 mm	3070 M	3071 M



EN ISO 354 &
EN ISO 11654

α_w	NRC	125	250	500	1000	2000	4000	Hz
0.60	0.55	0.35	0.35	0.55	0.75	0.65	0.60	α_p

Sound Absorption Class = C



EN ISO 10848-2
/ EN 20140-9
& EN ISO 717-1

Dncw
32 dB



EN 13501-1

EEA	Euroclass A2-s1, d0
-----	---------------------



EN 12667
& ISO 8301

$\lambda = 0.06 \text{ W/m K}$



90 % RH



$\approx 2.7 \text{ kg/m}^2$



PC 1205 Armstrong Building Products R.O.S. Besançon B 784 131 575 Printed in E.C. on chlorine free paper from sustainable resources.

Please contact our Armstrong Technical Sales group for further details.

www.armstrong.eu

Armstrong®